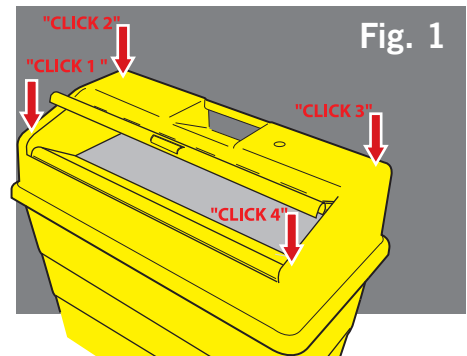


How to assemble and use the Sharpsafe® 24 & 30 Litre sharps container

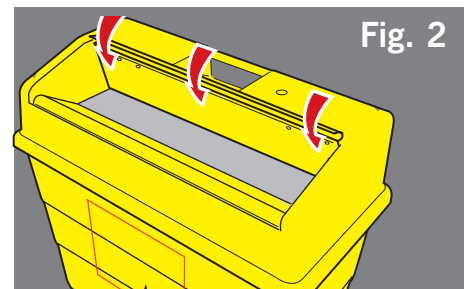
ASSEMBLY INSTRUCTIONS

1. Place base of container on a firm surface for assembly (e.g. a table).
2. Attach lid to base of the container by firmly applying pressure to each corner in turn (fig.1).
3. Ensure all four corners engage with a “click”.
4. Complete relevant sections of label including name and date of assembly (Fig.6)



USER INSTRUCTIONS

1. Temporary opening: Rotate flap downward to engage temporary opening (Fig.2).



CLOSING INSTRUCTIONS

1. Final closure: Pull flap forward using central tab (Fig.3).
2. Rotate flap down to cover aperture (fold central tab back)
3. Firmly apply pressure along the front of the flap (Fig.5).
4. Ensure flap engages with a “click”.
5. Complete all relevant sections of the label including name and date of closure. (Fig.6)

